



Data Transmission Series

User Manual

Model : RS001R

RS485 Data Repeater



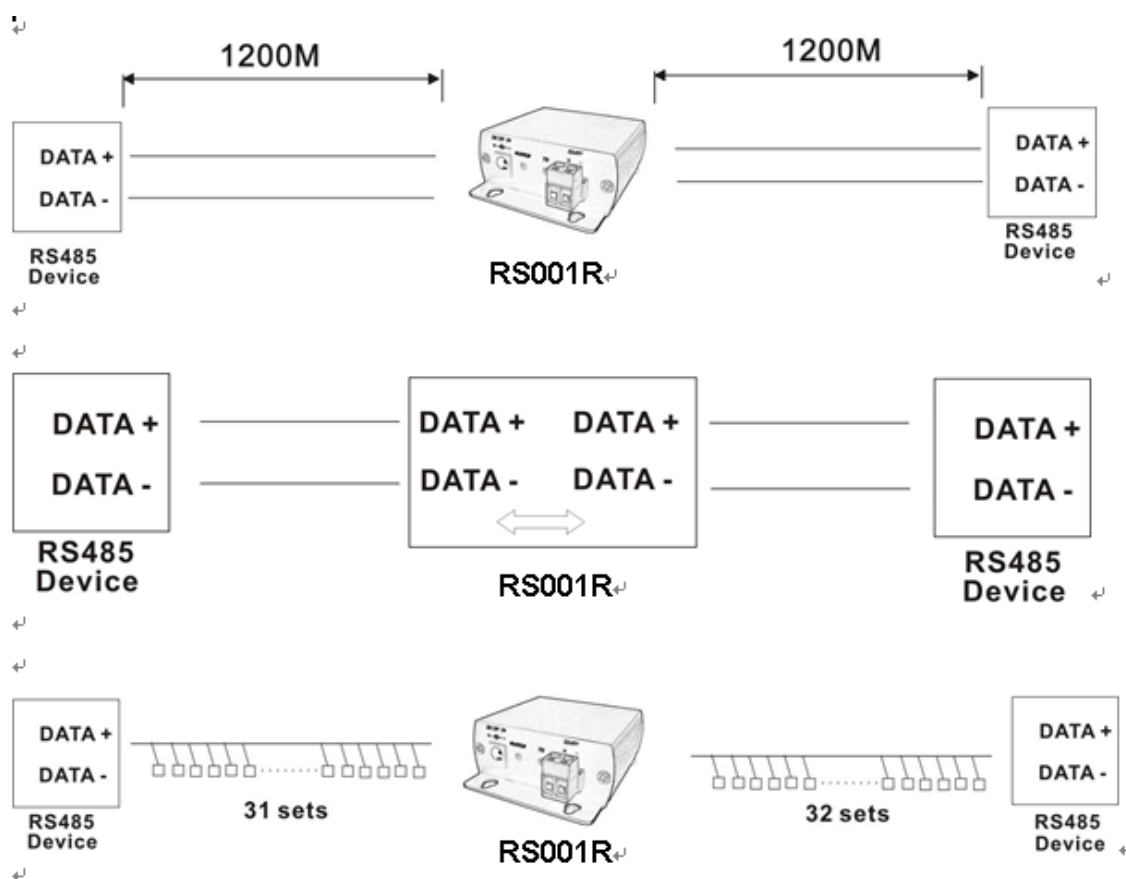
Introduction

RS001 is a data converter that converts RS232 to RS485 signal without power required and also carries the signal to 1200M away...

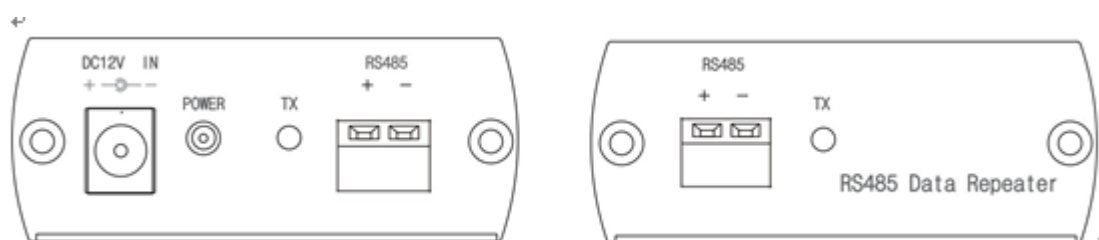
Features

- Converts RS232 to RS485 signal.
- Supports up to 115200 bps baud rate.
- Signal extension up to 1200M.
- No power required..

Installation View



Panel View



Note: When using RS001R the responding RS-485 device must wait for the auto transmit enable to revert back to the receive state. If the responding RS-485 device transmits a packet back less than one byte time after the end of the packet, then there is possibility of a data collision on the RS-485 interface.

Specification

ITEM NO.	RS001R
Support	
Standard	RS485
Max. Baud Rate	115200 bps
Max. Transmission Distance	1200M for each RS001R added
Ports & Interfaces	
Data Input	1 x Terminal Block
Data Output	1 x Terminal Block (1V p-p, 75Ω)
Power Interface	1 x DC Jack
Power	
DC Power Voltage	+10 to 20V
Power Supply	DC 12V 500mA
Power Consumption	100mA (Max)
Ambient Temperature	
Operation	0 to 55°C
Storage	-20 to 85°C
Humidity	Up to 95%
Physical Characteristics	
Dimensions	67 x 87 x 27mm
Weight	130g